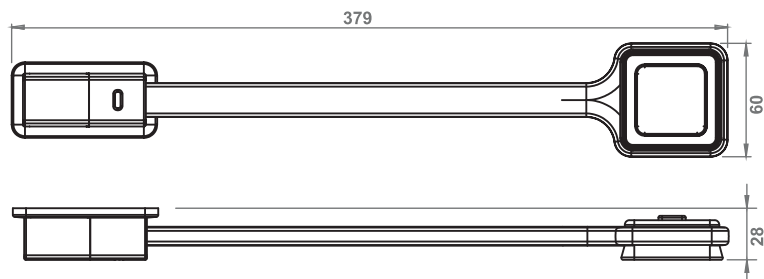
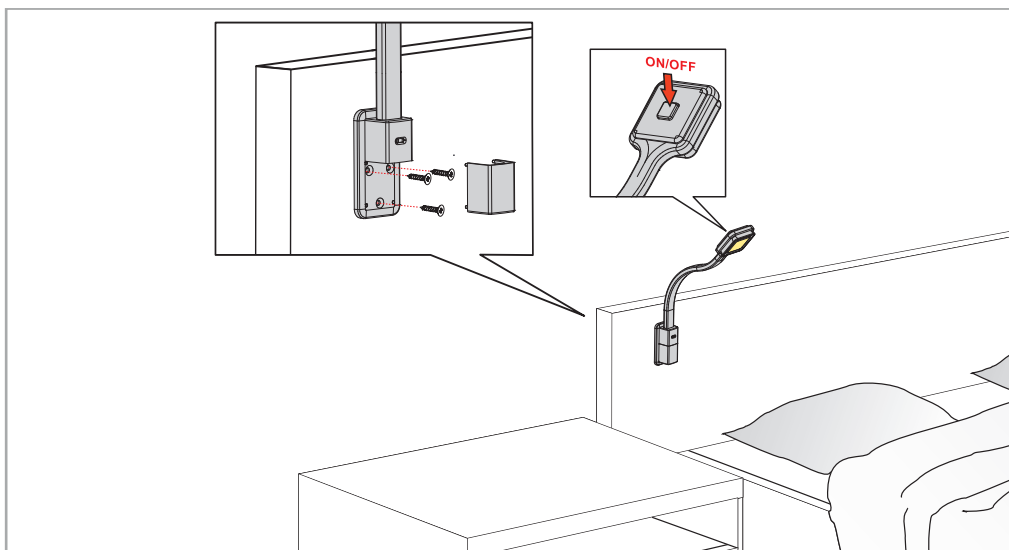


## FLEXI 2Q (USB-C)

10.01.170.XY/USB-C X: 4 8 Y: 1 2 8



## FLEXI 2Q

10.01.170.XY X: 4 8 Y: 1 2 8

