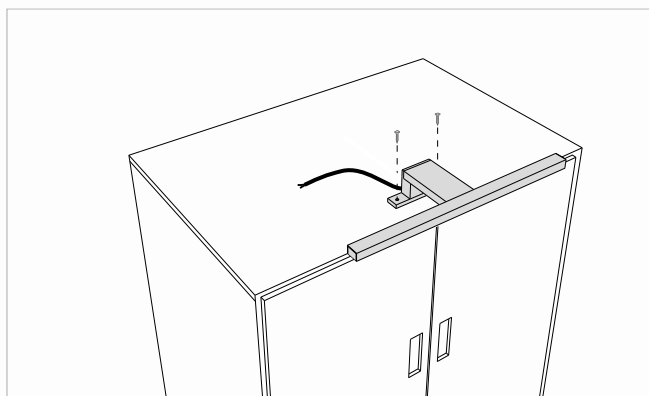


ALA 500 IP44 || ALA 600 IP44

10.01.94.XY

X: 1  2  8  Y: 1  2 

ALA 500 /IP44
10.01.94.XY/50

ALA 600 /IP44
10.01.94.XY/60

